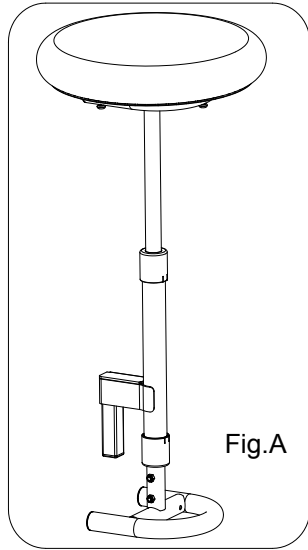
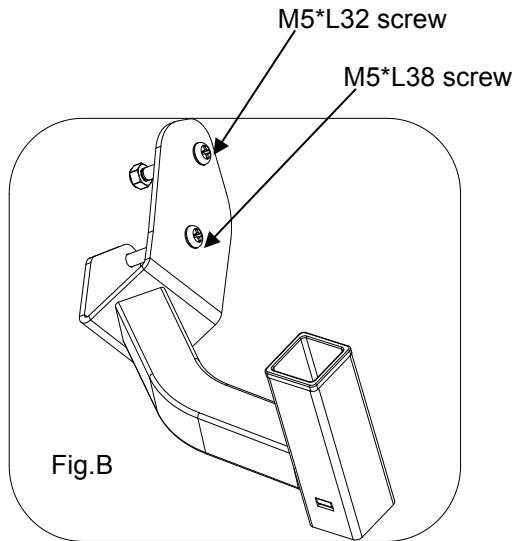


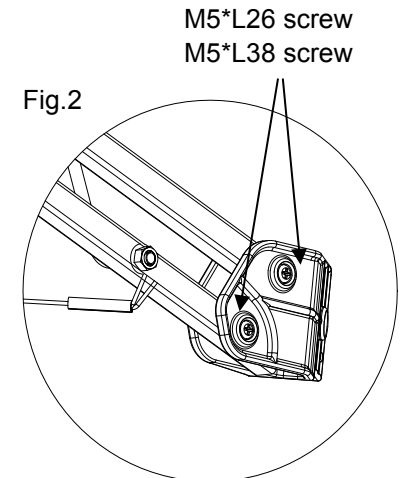
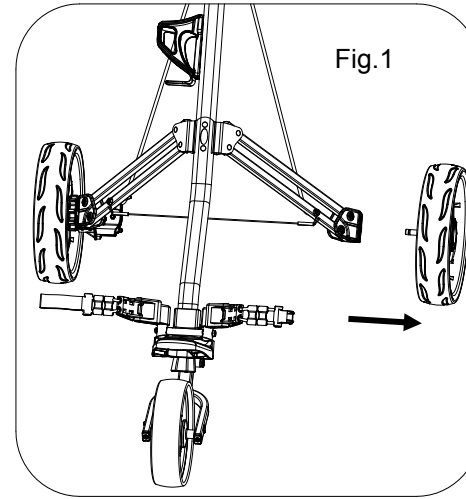
# CP-115-SEAT INSTRUCTION



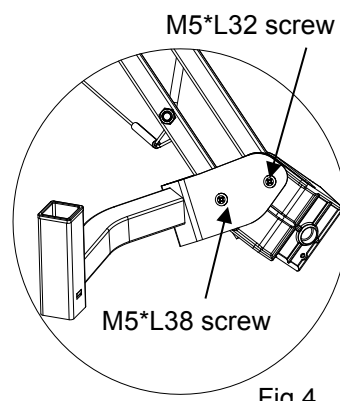
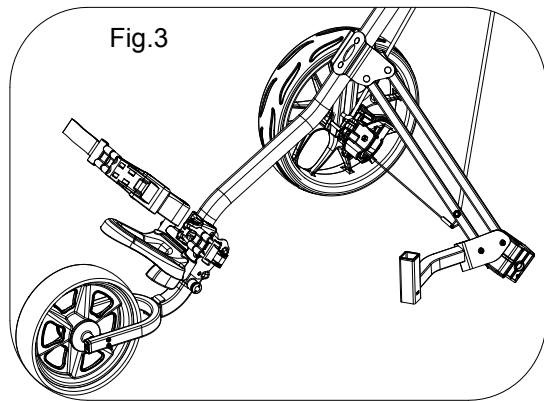
SEAT FRAME



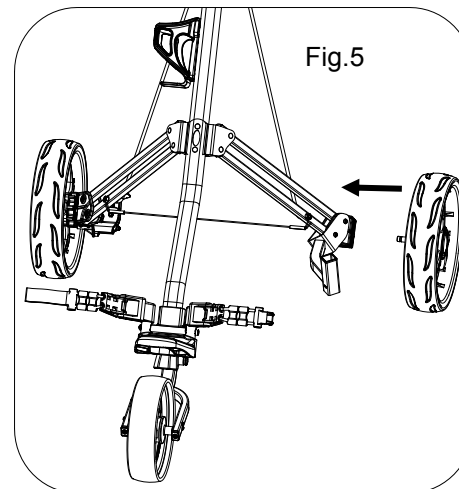
CONNECTING BRACKET



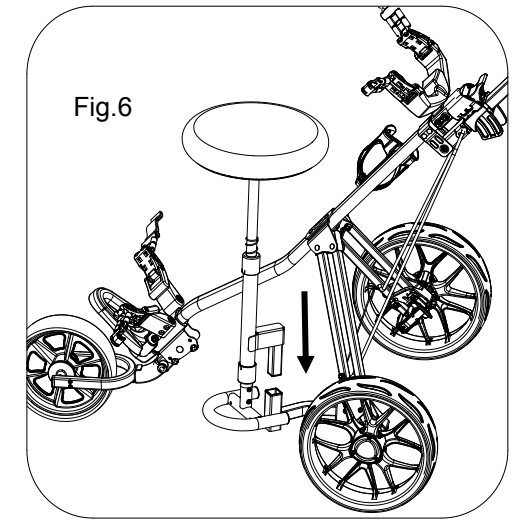
1. Release the right rear wheel and the screws M5\*L26 and M5\*L38 screws on the wheel holder as Fig.1/Fig.2.



2. Assemble seat connecting bracket on the wheel holder as Fig.3, then fixed by M5\*L32 screw and M5\*L38 screw as Fig.4.



3. Install the right rear wheel as Fig.5.



4. Slide the seat on the seat connecting bracket as Fig.6.